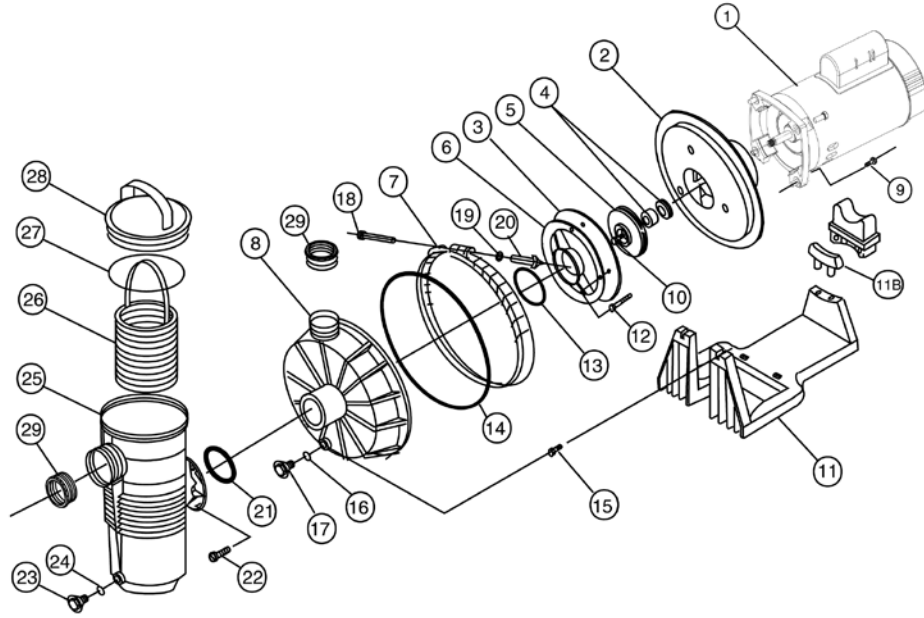


CHALLENGER® HIGH PRESSURE PUMP

REPLACEMENT PARTS



Item	Part No.	Description	US List	Can. List
CHALLENGER HIGH PRESSURE PUMP MOTORS				
1	354804S	3/4HP, 1SP,1PH, TEFC, 115/208-230	CALL	CALL
1	354822S	1HP, 1SP,1PH, TEFC, 115/208-230	CALL	CALL
1	354824S	1-1/2HP, 1SP,1PH, TEFC, 208-230	CALL	CALL
1	354816S	2HP, 1SP,1PH, TEFC, 208-230	CALL	CALL
1	354818S	3HP, 1SP, 1PH, TEFC, 208-230	CALL	CALL
1	355019S	1/2F, 3/4A std. sq. fig., 115/208-230	CALL	CALL
1	355021S	3/4F, 1A std. sq. fig., 115/208-230	CALL	CALL
1	355023S	1F, 1-1/2A std. sq. fig., 115/208-230	CALL	CALL
1	355025S	1-1/2F, 2A std. sq. fig., 115/208-230	CALL	CALL
1	355027S	2F, 2-1/2A std. sq. fig., 208-230	CALL	CALL
1	355034S	3F std. sq. fig. 230 only	CALL	CALL
1	355009S	3/4FE, 1AE sq. fig. 115/208-230	CALL	CALL
1	355011S	1FE, 1-1/2AE sq. fig. 115/208-230	CALL	CALL
1	355013S	1-1/2FE, 2AE sq. fig. 208-230	CALL	CALL
1	355015S	2FE, 2-1/2AE sq. fig. 208-230	CALL	CALL
1	355017S	3FE, 1 ph sq. fig. 208-230	CALL	CALL
1	353319S	5FE, 1 ph, 5 HP, 208-230	CALL	CALL
1	355375S	3/4F, 1A std. sq. fig. 2 sp. 115 only, 28 lbs.	CALL	CALL
1	355232S	3/4F, 1A std. sq. fig. 2 sp. 230 only	CALL	CALL
1	355376S	1F, 1-1/2A std. sq. fig. 2 sp. 230 only	CALL	CALL
1	355377S	1-1/2F, 2A std. sq. fig. 2 sp. 230 only	CALL	CALL
1	355378S	2F, 2-1/2A std. sq. fig. 2 sp. 230 only	CALL	CALL
1	354806S	1 HP, 3 ph sq. fig. 208-230/460	CALL	CALL
1	354808S	1-1/2 HP, 3 ph sq. fig. 208-230/460	CALL	CALL
1	354810S	2 HP, 3 ph sq. fig. 208-230/460	CALL	CALL
1	354812S	3HP, 3 ph sq. fig. 208-230/460	CALL	CALL
1	354814S	5HP, 3 ph, sq. fig. 208-230/460	CALL	CALL
2	355004	Plate, seal - black	111.99	134.57

Item	Part No.	Description	US List	Can. List
3	355384	Plate, mounting 1/2F, 3/4A	33.45	40.19
3	355317	Plate, mount 3/4F thru 3F, 1A thru 2-1/2A	16.43	19.74
4	354545S	Seal, 5/8 in. mechanical PS 200	31.55	37.91
5	355147	Impeller, 1/2F, 3/4A	59.99	72.08
5	355187	Impeller, 3/4F, 1A	61.18	73.51
5	355369	Impeller, 1F, 1-1/2A	62.07	74.58
5	355315	Impeller, 1-1/2F, 2A	62.34	74.91
5	355604	Impeller, 2F, 2-1/2A ¹	63.04	75.75
5	355544	Impeller, 3F	81.41	97.82
6	355148	Diffuser, 1/2F, 3/4A	36.55	43.92
6	355188	Diffuser, 3/4F, 1F, 1A, 11/2A	35.61	42.79
6	355270	Diffuser, 1-1/2F, 2A	36.80	44.22
6	355545	Diffuser, 3F, 2.5A, 2F ²	60.82	73.08
7	355320	Band, clamp assembly complete	95.51	114.76
8	355468	Housing, front, black	163.47	196.43
8	355469	Housing, front, almond	163.47	196.43
9	070429ZZ	Bolt 3/8-16 x 7/8 SS Hex Cap 18-8. 4 req.	CALL	CALL
10	355389	Screw, imp. locking	1.69	2.03
11	355305	Base, pump ³	54.52	65.51
11B	355385	Adapter, 5-5/8 in. dia. motor ⁴	13.92	16.73
12	355334Z	Screw, 8-32 x 1 in. SS hex wsh. hd., 3 req.	CALL	CALL
13	355331Z	O-ring, diffuser	CALL	CALL

Note: Pumps and replacement motors that are single speed and one (1) Total HP or greater cannot be sold, offered for sale, or installed in a residential pool for filtration use in California, Title 20 CCR sections 1601-1609.

CALIFORNIA PROPOSITION 65 WARNING

⚠ **WARNING:** Cancer and Reproductive Harm.
 ⚠ **AVERTISSEMENT:** Peut Causer le Cancer et des Dommages au Système Reproducteur.
 ⚠ **ADVERTENCIA:** Cáncer y Daño Reproductivo.
www.p65warnings.ca.gov

Product on pages 188–189
 Replacement baskets on page 148.

CHALLENGER® HIGH PRESSURE PUMP (CONT'D)

REPLACEMENT PARTS

Item	Part No.	Description	US List	Can. List
CHALLENGER HIGH PRESSURE PUMPS				
14	355329Z	O-ring, front housing	CALL	CALL
15	355335	Screw, 5/16 in., 18 x 1/2 in. SS hex wsh. hd., 2 req.	1.69	2.03
16	192115Z	O-ring, drain plug	CALL	CALL
17	357161Z	Plug, 1/4 in. drain	CALL	CALL
18	152060	Bolt, 5/16 in., 18 x 4 in. carriage ⁵	11.81	14.19
19	072173	Washer, 5/16 in. SS flat	1.95	2.34
20	174882	Knob (fits clamp w/ removable bolt only)	38.77	46.59
20	175025	Knob (fits clamp w/ captured t-bolt only)	38.77	46.59
21	355330	O-ring, strainer pot flange	1.95	2.34
22	354265	Screw, 5/16 in., 18 x 3/4 in. SS hex wsh. hd., 4 req.	2.36	2.84
23	357161Z	Plug, 1/4 in. drain	CALL	CALL
24	192115Z	O-ring, drain plug	CALL	CALL
25	355300	Pot strainer	161.16	193.65
26	355318Z	Basket, plastic strainer (all except 3F)	CALL	CALL
26	355441	Basket, SS strainer (3F only)	208.34	250.34
27	350013Z	O-ring, lid	CALL	CALL
28	355301	Lid, strainer pot	70.95	85.25
28	354112	Lid, strainer pot chemical resistant	70.95	85.25
29	552377	Bushing, reducer 1/2F, 3/4F, 3/4A, 1A	15.77	18.95

POWER END ASSEMBLIES (INCLUDES ITEMS 1-6, 9, 10, 12 AND 13)				
	355670	CH-N1-1/2F, 3/4A std. power end 115/208-230	CALL	CALL
	355671	CH-N1-3/4F, 1A std. power end 115/208-230	CALL	CALL
	355672	CH-N1-1F, 1-1/2A std. power end 115/208-230	CALL	CALL
	355669	CH-N1-11/2F, 2A std. power end 115/208-230	CALL	CALL
	355674	CH-N1-1FE, 1-1/2AE power end 115/208-230	CALL	CALL
	355675	CH-N1-1-1/2FE, 2AE power end 208-230	CALL	CALL
	355676	CH-N1-2FE, 2-1/2AE power end 208-230 ¹	CALL	CALL
	355677	CH-N1-3FE, 1 ph power end 208-230	CALL	CALL
	355679	CH-N2-3/4F, 1A 2 sp. std. power end 115 only	CALL	CALL
	355680	CH-N2-1F, 1-1/2A 2 sp. std. power end 230 only	CALL	CALL
	355681	CH-N2-1-1/2F, 2A 2 sp. std. power end 230 only	CALL	CALL
	355682	CH-N2-2F, 2-1/2A 2 sp. std. power end 230 only	CALL	CALL

Item	Part No.	Description	US List	Can. List
NOT SHOWN				
	355302	Housing booster pump	226.19	271.79
	355309	Union Kit	120.80	145.15
	357391	Pot Assembly, Black with SS basket (3F Only) Includes items 23-28	759.97	913.18
	359507	Pot Assembly, Black with plastic bracket (all models except 3F and 5F) Includes items 23-28.	284.45	341.80
	401014Z	Motor End Cap and Screw	28.65	34.43
	357924Z	Fan Guard Kit TEFC/Super-Duty	CALL	CALL

¹ Used on 2F, 2-1/2A pumps built after 10-1-92.

² Used on 2F, 2-1/2A pumps built prior to 10-1-92. Must replace w/ both diffuser 355545 & impeller 355604.

³ Pump base, (item 11) includes dual radius motor support adapter (item 11B), which fits both 5-5/8 in. & 6-1/2 in. dia. motors.

⁴ Item 11A motor support is a replacement part that fits only older style pump bases with rectangular opening.

⁵ Carriage bolt (item 18) fits prev. style clamp band assembly (item 7).

Note: Challenger booster pumps consist of items 1-20.

Note: Challenger pool pumps consist of all items except item 15.

Note: Pumps and replacement motors that are single speed and one (1) Total HP or greater cannot be sold, offered for sale, or installed in a residential pool for filtration use in California, Title 20 CCR sections 1601-1609.

Product on pages 188-189.

Replacement baskets on page 148.

CALIFORNIA PROPOSITION 65 WARNING

▲ **WARNING:** Cancer and Reproductive Harm.
▲ **AVERTISSEMENT:** Peut Causer le Cancer et des Dommages au Système Reproducteur.
▲ **ADVERTENCIA:** Cáncer y Daño Reproductivo.

www.p65warnings.ca.gov
PR02011A