

(800)918-7665

info@poolstore.com

Date _____

Company _____

Customer _____

Phone# _____

Fax# _____

Address _____

Ship To Address _____

Wall Pattern/Mil _____

Floor Pattern/Mil _____

POOL LINER ORDER FORM

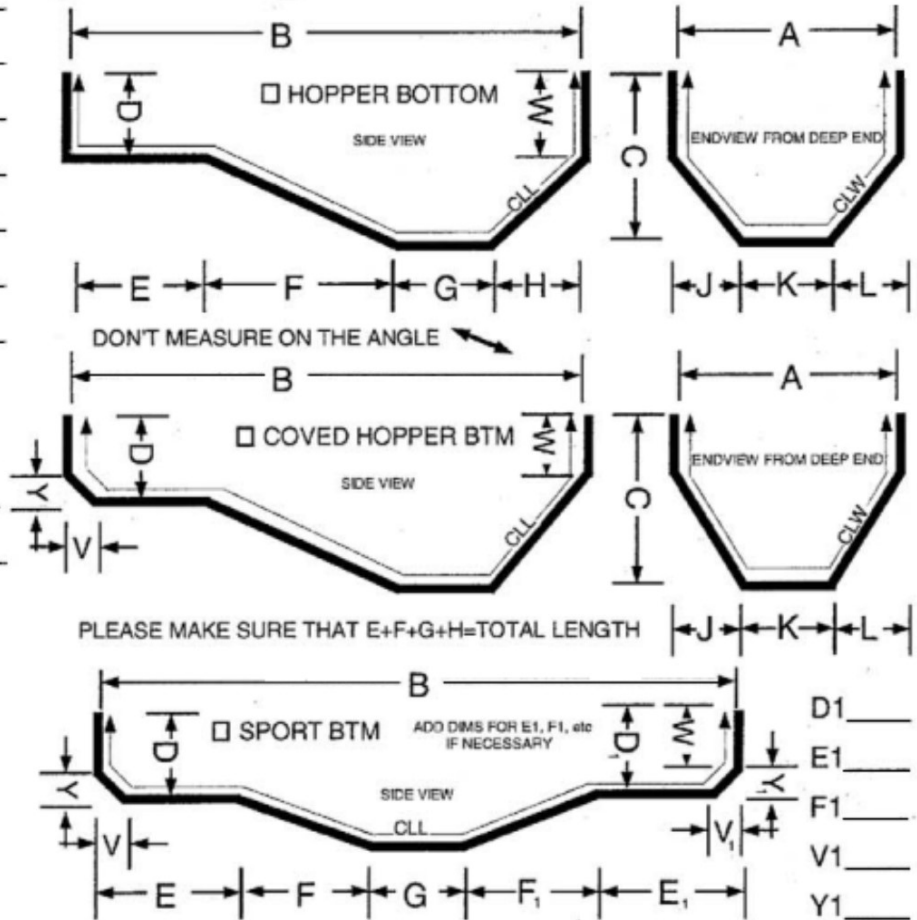
POOL SHAPE

- RECTANGLE
 GRECIAN OVAL BOOMERANG

For kidney or other freeform pools see our Inground Measuring Guide

STANDARD KIT POOL

- BEADED LINER OVERLAP LINER



- A _____ WIDTH
 B _____ LENGTH
 C _____ DEEP DEPTH
 D _____ SHALLOW DEPTH
 E _____ SHALLOW
 F _____ RAMP
 G _____ HOPPER
 H _____ BACK SLOPE
- J _____ SIDE SLOPE
 K _____ HOPPER WIDTH
 L _____ SIDE SLOPE
 W _____ WALL DEPTH
 V _____ COVE
 Y _____ COVE DEPTH
- BOWL SHAPED BOTTOM
 CLW _____ CLL _____
- ADD DIMS FOR E1, F1, etc IF NECESSARY
 D1 _____
 E1 _____
 F1 _____
 V1 _____
 Y1 _____

POOL CORNERS

- Square
 Radius
 Diagonal

LINER CUT

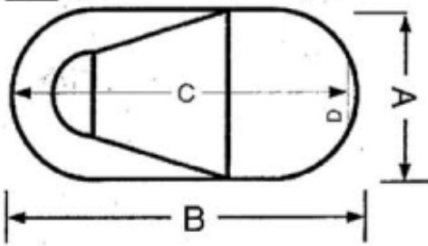
- I prefer a very full liner cut
 I prefer a regular liner cut
 This pool would be easier to fit with a shallower cut

Price _____

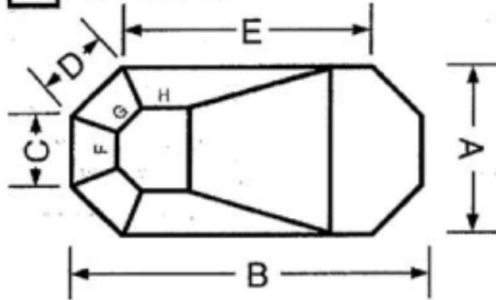
Tax _____ Total _____

► USE FRONT OF FORM TO FILL IN SIDE VIEW

OVAL Use C if pool has flat step at end. Show step width as D.

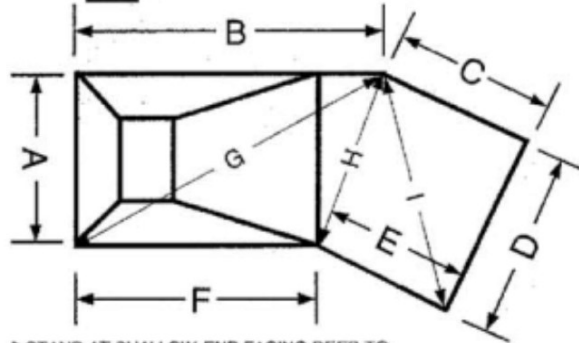


GRECIAN



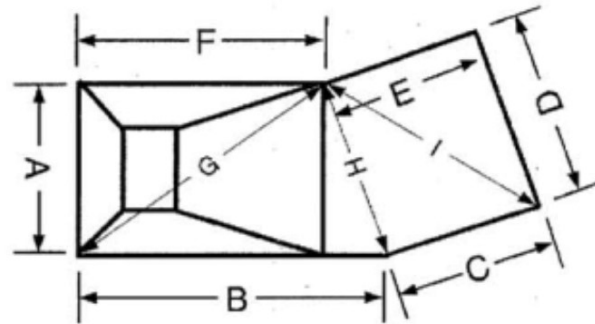
A _____ D _____ G _____
 B _____ E _____ H _____
 C _____ F _____ I _____

LAZY L OR BOOMERANG LEFT



► STAND AT SHALLOW END FACING DEEP TO DETERMINE "LEFT OR RIGHT"
 ► MEASURE G,H,I TO POINT ON DECK WHERE POOL WALLS WOULD SQUARE TO

LAZY L OR BOOMERANG RIGHT

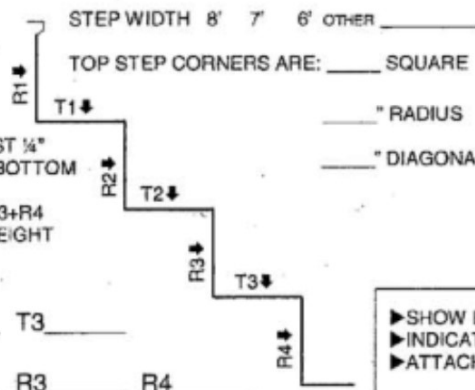


STAIRS

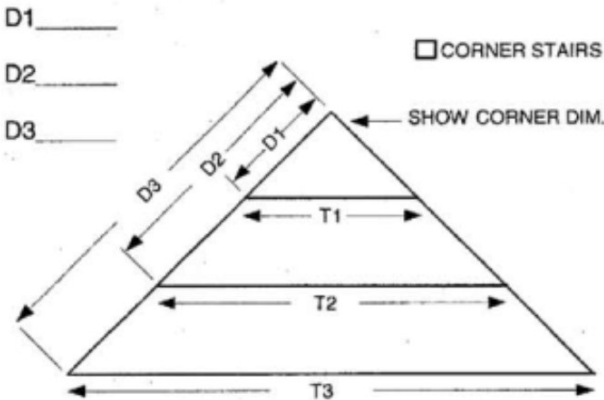
DO YOU REQUIRE ROD SLEEVES?

YES NO

► MEASURE TO NEAREST 1/4"
 ► R1 IS MEASURED TO BOTTOM LIP OF LINER TRACK
 ► MAKE SURE R1+R2+R3+R4 ARE EQUAL TO WALL HEIGHT

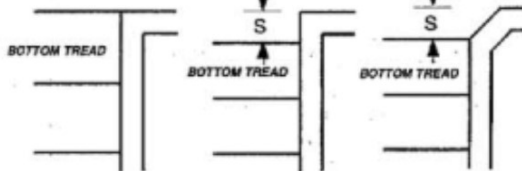


T1 _____ T2 _____ T3 _____
 R1 _____ R2 _____ R3 _____ R4 _____



SETBACK FROM POOL WALL TO BOTTOM RISER:

_____ NONE S= _____" 90° S= _____" 45°



► SHOW EXACT STAIR LOCATION BY SKETCHING POOL BELOW
 ► INDICATE DEEP AND SHALLOW ENDS
 ► ATTACH ADDITIONAL DRAWINGS IF REQUIRED

****INDICATE PREFERRED LOCATION FOR WALL SEAM****