

MYSTIQUE

34' x 18' & 41' x 21'

Oval Pools

Parts List

Parts List (Oval)

ITEM	DESCRIPTION	PART NO.	34'x18'	41'x21'			
			QTY.	QTY.			
	STEEL PACK CARTON	5-9948-914	1	—			
	STEEL PACK CARTON	5-9911-914	—	1			
1.	Stabilizer Rail (Large)	583-1005	—	10			
2.	Stabilizer Rail (Small)	583-1004	—	12			
1.	Stabilizer Rail (Large)	583-1011	16	8			
2.	Stabilizer Rail (Small)	583-1012	10	—			
3.	Vertical End Cap	580-1907	14	16			
4.	Bottom Connector	580-1343	14	16			
5.	Side Vertical end Cap	580-2279	8	10			
6.	Top Connector	340-2648	22	26			
7.	Coping	545-1001	46	55			
8.	Bottom Rail - stamped L18'	589-1136	12	—			
	Bottom Rail - stamped L-21-S	589-1137	—	14			
9.	Bottom Rail - stamped TR	589-1053	4	4			
10.	Bottom Rail - Side -stamped S	589-1052	6	8			
*11.	#14 x 1/2" Slot pan hd screw	330-1075	14	16			
*12.	#10 x 1/2" Screw	330-1127	204	240			
*13.	1/4-20 x 1/2" Screw	330-1280	28	32			
*14.	1/4-20 Nut	321-1029	28	32			
*15.	#10 x 1-1/2" slotted screw	510-1001	8	10			
*16.	#10-16 x 5/8" Hex washerhd screw	330-1057	44	52			
17.	Vertical Tab	580-1460	22	26			
18.	Skirt block	340-2401	8	10			
19.	Side vertical skirt	340-2400	8	10			
20.	Top Rail - side	587-1519	6	12			
21.	—	—	—	—			
22.	Vertical skirt	340-2397	14	16			
23.	Book - "Safety First"	573-3169	1	1			
24.	Assembly/Installation Instructions	573-3684	1	1			
25.	Warranty Card - Metal	—	1	1			
26.	Pool Parts List	573-3683	1	1			
	TOP RAIL PACK (16)	5-9816-904	1	—			
	TOP RAIL PACK (14)	5-9814-904	—	1			
27.	Top Rail	587-1520	—	14			
27a.	Top Rail	587-1519	16				
	VERTICAL PACK	5-9714-904	1	—			
	VERTICAL PACK	5-9716-904	—	1			
28.	Vertical	580-2183	14	16			
	VINYL LINER CARTON						
**29.	Liner (34' x 18') (write # here)	- - - - -	1	—			
	Liner (41' x 21')	- - - - -	—	1			
		- - - - -	—	—			
		- - - - -	—	—			
30.	Chlorine/Winterizing Instructions	573-2421	1	1			
31.	Liner Installation Instructions	573-3043	1	1			
32.	Warranty Card	—	1	1			
***33.	Repair Patch	564-1000	1	1			
34.	Warning Decals	560-1041	3	3			
35.	Decal - Shallow 3-3/4 Ft.	560-1056	3	3			
****36.	Deep Area Decal	560-1042	2	2			
37.	Shallow Decal Insert Sheet	369-1216	1	1			
38.	Book - "Safety First"	573-3169	1	1			

Parts List (Oval)

			34'x18'	41'x21'		
ITEM	DESCRIPTION	PART NO.	QTY.	QTY.		
	SIDEWALL CARTON					
39.	34' x 18' Wall (write wall # here)	_____	2	—		
	41' x 21' Wall	_____	—	2		
		_____	—	—		
		_____	—	—		
40.	Wall Protective Strip	535-1442	2	2		
*41.	1/4-20 Hex Nut	321-1029	52	52		
*42.	1/4-20 x 1/2" Screw	330-1280	52	52		
43.	Cover Plate Skimmer (not shown)	580-_____	2	2		
44.	Cover Plate - Return (not shown)	580-_____	2	2		
45.	Warning Sign	560-1055	2	2		
46.	Book - "Safety First"	573-3169	2	2		
	SUPPORT BASE PACK 4 CARTON	5-8888-204	2	1		
	SUPPORT BASE PACK 6 CARTON	5-8888-206	—	1		
47.	Skid support	580-1779	8	10		
48.	Ground support - top	580-2071	8	10		
49.	Ground support - bottom	580-2072	8	10		
50.	Pressure Pad - by side vertical	580-1869	8	10		
51.	Pressure Pad - inside	580-1870	8	10		
52.	Btm rail locator & cover	580-1792	8	10		
53.	#12 x 3/4" hx washer hd screw	510-1035	48	60		
54.	3/8-16 x 3-1/2" hx hd bolt	330-1220	32	40		
55.	3/8-16 hx nut	321-1069	32	40		
56.	1/4-20 x 1/2" hx hd screw grade 5	510-1018	32	40		
57.	1/4-20 hx nut	511-1000	32	40		
*58.	Sheet Metal Screw, #10 x 1/2"	330-1127	48	60		
	SIDE SUPPORT PACK 4 CARTON	5-8852-400	2	1		
	SIDE SUPPORT PACK 6 CARTON	5-8852-600	—	1		
59.	Side support	580-2074	8	10		

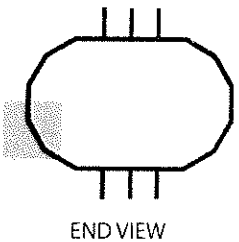
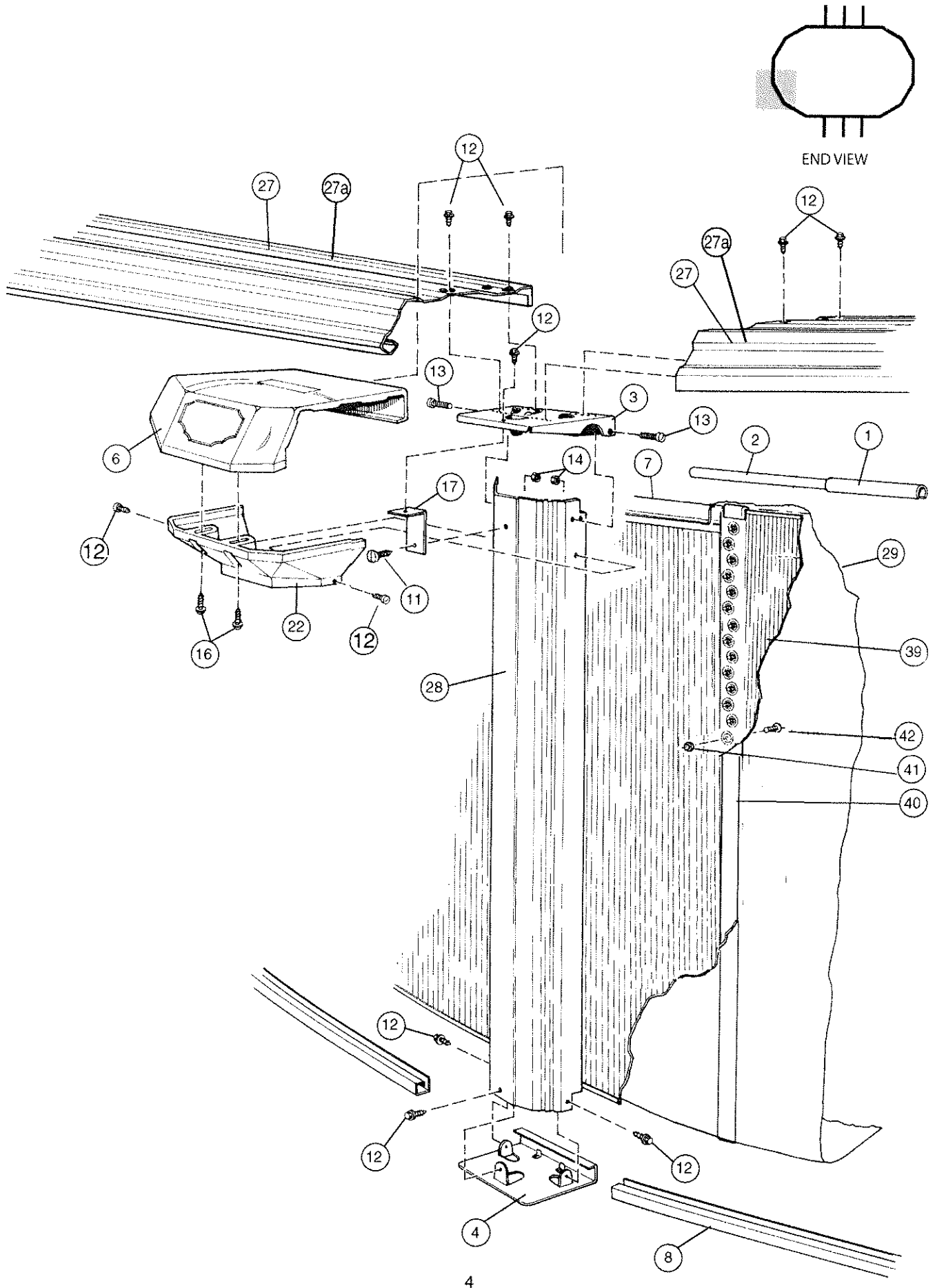
*Screws, nuts and washers available at your local hardware store.

**Write the number of your liner in the spaces provided here and above. # _____

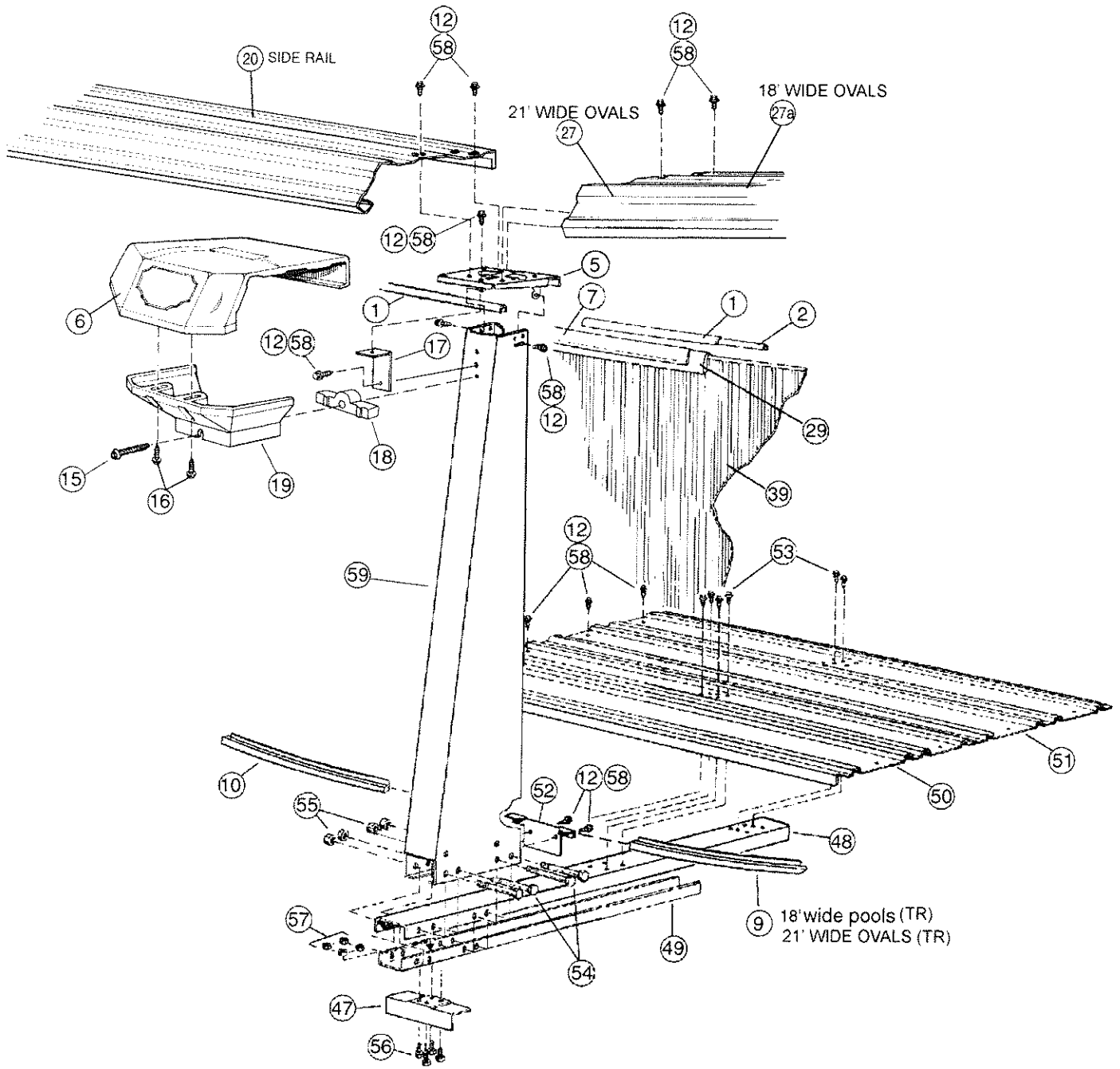
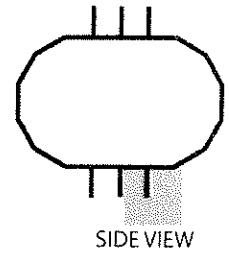
***For additional Patch Kits, see your local dealer.

****Use for pools with deep swimming areas only.

EXPLODED END VIEW



EXPLODED SIDE VIEW





Important! Above-ground pools are designed for swimming and wading only. Do not Dive or Jump! Misuse of your pool may result in crippling injury and/or other dangers to life and health. Do not use slides, diving boards, or any other platform or object which can be used for improper pool entry. Use only an above-ground swimming pool ladder or entry system to enter or exit your pool. Never attempt to swim or reach behind ladders or any other pool entry system. It is the pool owner's responsibility to secure the pool against unauthorized, unsupervised or unintentional entry. It is also the pool owner's responsibility to warn all pool users of the hazards of diving into shallow water: paralyzing injury may result. Always obey all safety rules. Remember, pool safety is everybody's responsibility.

Safety decals and caution information provided with your pool have been endorsed by the U.S. Consumer Product Safety Commission. It is mandatory that the pool owner and installer follow the installation and use directions for all provided safety signs and decals. Juveniles must be supervised at all times by a responsible adult as directed by the USCPSC.

Change of Design: The manufacturer (HII) expressly reserves the right to change or modify the design and construction of any product in due course of their manufacturing procedures, without incurring any obligation to furnish or install such changes or modifications on products previously or subsequently sold.

HII • 315 N. Sebastian St. • West Helena, AR 72390