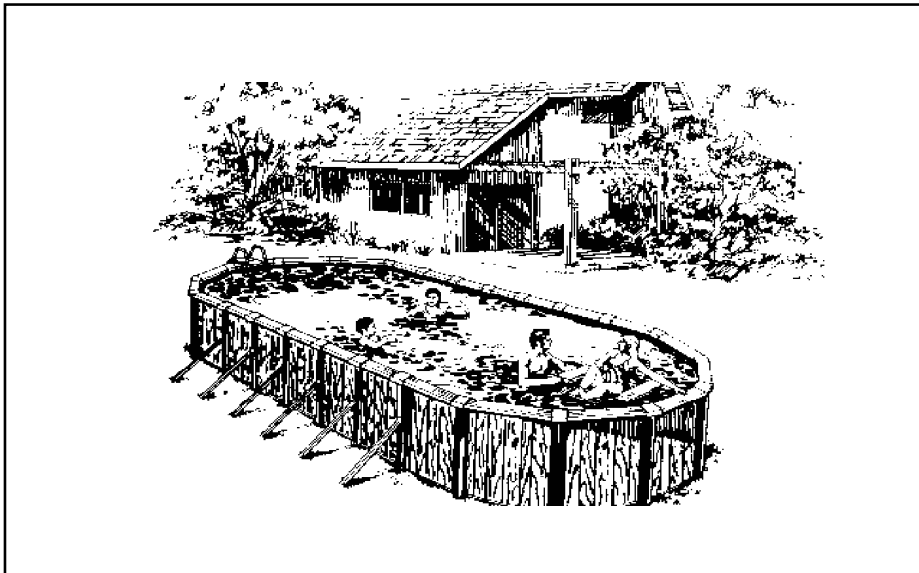


Mystique

52 Inch Tall Oval Pools (Com-pac II)

Parts List



(Not actual support system or pool)

Mystique Parts List (Oval)

			20'x12' x 52"	24'x12' x 52"	24'x16' x 52"	28'x16' x 52"	32'x16' x 52"
ITEM	DESCRIPTION	PARTNO.	QTY.	QTY.	QTY.	QTY.	QTY.
	STEEL PACK CARTON	5-9902-914	1	—	—	—	—
	STEEL PACK CARTON	5-9942-914	—	1	—	—	—
	STEEL PACK CARTON	5-9946-914	—	—	1	—	—
	STEEL PACK CARTON	5-9986-914	—	—	—	1	—
	STEEL PACK CARTON	5-9926-914	—	—	—	—	1
1.	Stabilizer Rail (Large)	583-1011	10	12	10	12	14
2.	Stabilizer Rail (Small)	583-1012	8	8	10	10	10
3.	Vertical End Cap	580-1907	10	10	12	12	12
4.	Bottom Connector	580-1343	10	10	12	12	12
5.	Side Vertical end Cap	580-2279	4	6	4	6	8
6.	Top Connector	340-2648	14	16	16	18	20
7.	Coping	545-1001	31	33	40	42	44
8.	Bottom Rail - stamped L- 12'	589-1133	12	12	—	—	—
	Bottom Rail - stamped A-16'	589-1203	—	—	10	10	10
9.	Bottom Rail - stamped 16'	589-1047	—	—	4	4	4
10.	Bottom Rail - Side -stamped S	589-1052	2	4	2	4	6
*11.	#14 x 1/2" Slot pan hd screw	330-1075	10	10	12	12	12
*12.	#10 x 1/2" Screw	330-1127	136	154	164	178	200
*13.	1/4-20 x 1/2" Screw	330-1280	20	20	24	24	24
*14.	1/4-20 Nut	321-1029	20	20	24	24	24
*15.	#10 x 1-1/2" slotted screw	510-1001	4	6	4	6	8
*16.	#10-16 x 5/8" Hex washerhd screw	330-1057	28	32	32	36	40
17.	Vertical Tab	580-1460	14	16	16	18	20
18.	Skirt block	340-2401	4	6	4	6	8
19.	Side vertical skirt	340-2400	4	6	4	6	8
20.	Top Rail	587-1519	14	16	—	—	—
21.	Top Rail - Side	587-1519	—	—	2	4	6
22.	Vertical skirt	340-2397	10	10	12	12	12
23.	Book - "Safety First"	573-3169	1	1	1	1	1
24.	Assembly/Installation Instructions	573-3508	1	1	1	1	1
25.	Warranty Card - Metal	—	1	1	1	1	1
26.	Pool Parts List	573-3507	1	1	1	1	1
	TOP RAIL PACK (14)	5-9814-904	—	—	1	1	1
27.	Top Rail	587-1520	—	—	14	14	14
	VERTICAL PACK	5-9710-904	1	1	—	—	—
	VERTICAL PACK	5-9712-904	—	—	1	1	1
28.	Vertical	580-2183	10	10	12	12	12
	VINYL LINER CARTON						
**29.	Liner (20' x 12')	_____	1	—	—	—	—
	Liner (24' x 12')	_____	—	1	—	—	—
	Liner (24' x 16')	_____	—	—	1	—	—
	Liner (28' x 16')	_____	—	—	—	1	—
	Liner (32' x 16')	_____	—	—	—	—	1
30.	Chlorine/Winterizing Instructions	573-2421	1	1	1	1	1
31.	Liner Installation Instructions	573-3043	1	1	1	1	1
32.	Warranty Card	—	1	1	1	1	1
***33.	Repair Patch	564-1000	1	1	1	1	1
34.	Warning Decals	560-1041	3	3	3	3	3
35.	Decal - Shallow 3-3/4 Ft.	560-1056	3	3	3	3	3
****36.	Deep Area Decal	560-1042	2	2	2	2	2
37.	Shallow Decal Insert Sheet	369-1216	1	1	1	1	1
38.	Book - "Safety First"	573-3169	1	1	1	1	1

Mystique Parts List (Oval)

ITEM	DESCRIPTION	PARTNO.	20'x12' x 52"	24'x12' x 52"	24'x16' x 52"	28'x16' x 52"	32'x16' x 52"
			QTY.	QTY.	QTY.	QTY.	QTY.
	SIDEWALL CARTON						
39.	Mystique - 20' x 12' Wall	5-0407-002	1	—	—	—	—
	Mystique - 24' x 12' Wall	5-0407-042	—	1	—	—	—
	Mystique - 24' x 16' Wall	5-0407-046	—	—	1	—	—
	Mystique - 28' x 16' Wall	5-0407-086	—	—	—	1	—
	Mystique - 32' x 16' Wall	5-0407-026	—	—	—	—	2
40.	Wall Protective Strip	535-1442	1	1	1	1	2
*41.	1/4-20 Hex Nut	321-1029	26	26	26	26	52
*42.	1/4-20 x 1/2" Screw	330-1280	26	26	26	26	52
43.	Cover Plate Skimmer (not shown)	580-2163	—	—	—	—	2
44.	Cover Plate - Return (not shown)	580-2164	—	—	—	—	2
45.	Warning Sign	560-1055	1	1	1	1	2
46.	Book - "Safety First"	573-3169	1	1	1	1	2
	SUPPORT BASE PACK 4 CARTON	5-8888-204	1	—	1	—	2
	SUPPORT BASE PACK 6 CARTON	5-8888-206	—	1	—	1	—
47.	Skid support	580-1779	4	6	4	6	8
48.	Ground support - top	580-2071	4	6	4	6	8
49.	Ground support - bottom	580-2072	4	6	4	6	8
50.	Pressure Pad - outside	580-1869	4	6	4	6	8
51.	Pressure Pad - inside	580-1870	4	6	4	6	8
52.	Btm rail locator & cover	580-1792	4	6	4	6	8
53.	#12 x 3/4" hx washer hd screw	510-1035	24	36	24	36	48
54.	3/8-16 x 3-1/2" hx hd bolt	330-1220	16	24	16	24	32
55.	3/8-16 hx nut	321-1069	16	24	16	24	32
56.	1/4-20 x 1/2" hx hd screw grade 5	510-1018	16	24	16	24	32
57.	1/4-20 hx nut	511-1000	16	24	16	24	32
*58.	Sheet Metal Screw, #10 x 1/2"	330-1127	24	36	24	36	48
	SIDE SUPPORT PACK 4 CARTON	5-8852-400	1	—	1	—	2
	SIDE SUPPORT PACK 6 CARTON	5-8852-600	—	1	—	1	—
59.	Side support	580-2074	4	6	4	6	8

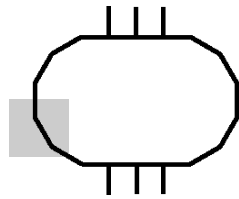
*Screws, nuts and washers available at your local hardware store.

**Write the number of your liner in the spaces provided here and above. # _____

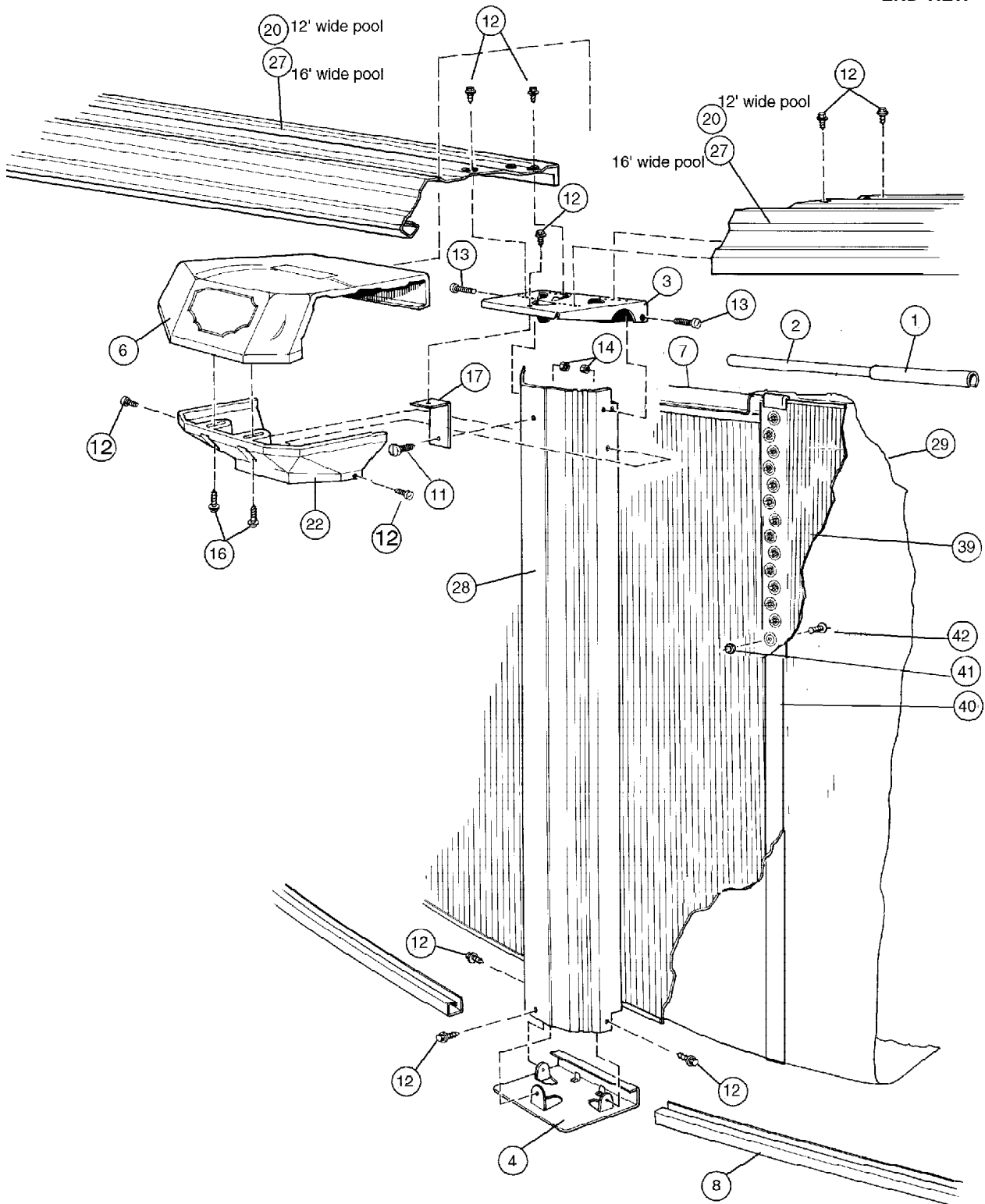
***For additional Patch Kits, see your local dealer.

****Use for pools with deep swimming areas only.

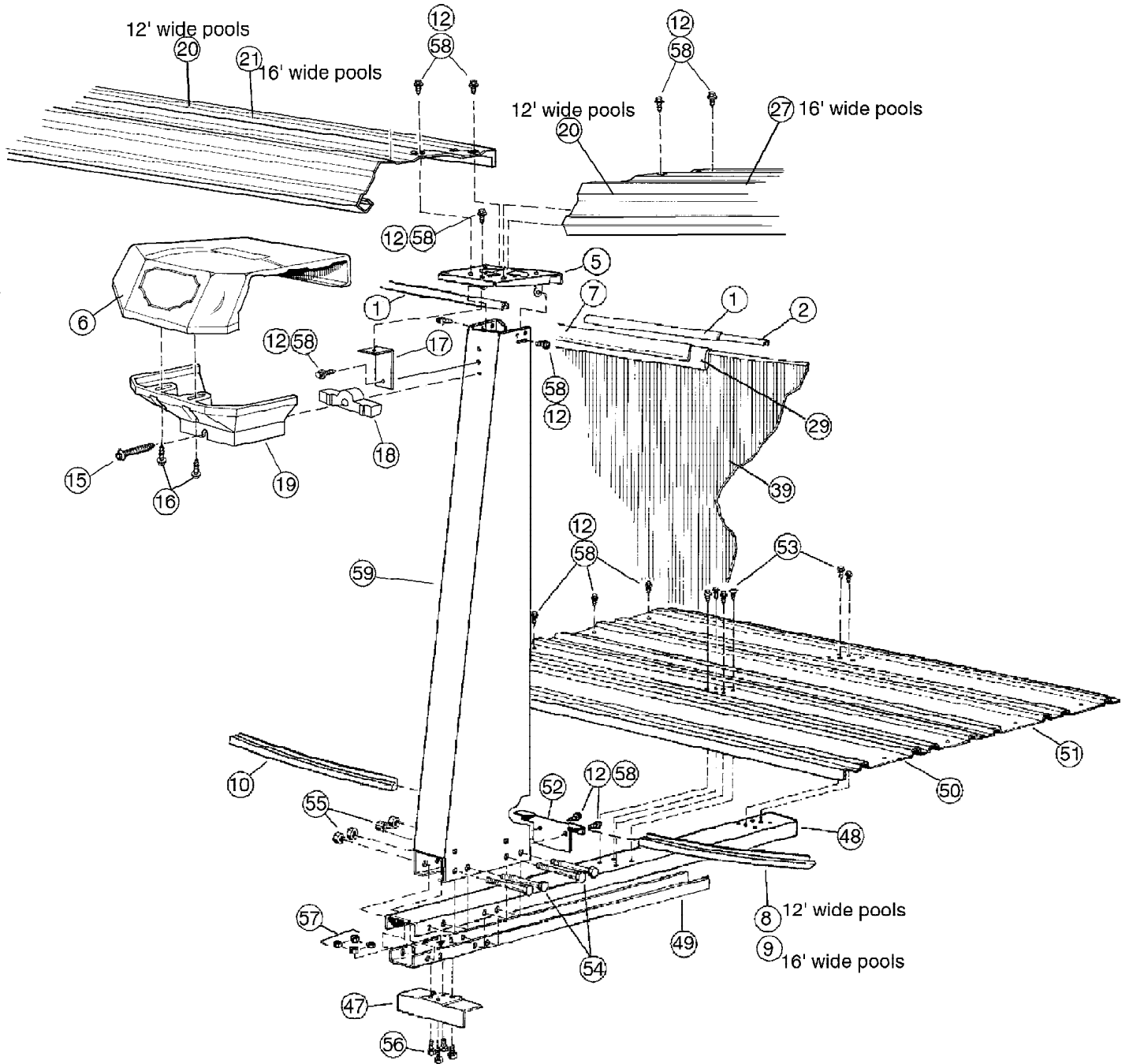
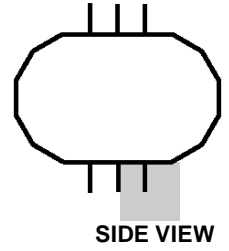
EXPLODED END VIEW



END VIEW



EXPLODED SIDE VIEW





Important! Above-ground pools are designed for swimming and wading only. **Do not Dive or Jump!** Misuse of your pool may result in crippling injury and/or other dangers to life and health. Do not use slides, diving boards, or any other platform or object which can be used for improper pool entry. Use only an above-ground swimming pool ladder or entry system to enter or exit your pool. **Never attempt to swim or reach behind ladders or any other pool entry system.** It is the pool owner's responsibility to secure the pool against unauthorized, unsupervised or unintentional entry. It is also the pool owner's responsibility to warn all pool users of the hazards of diving into shallow water: paralyzing injury may result. Always obey all safety rules. Remember, pool safety is everybody's responsibility.

Safety decals and caution information provided with your pool have been endorsed by the U.S. Consumer Product Safety Commission. It is mandatory that the pool owner and installer follow the installation and use directions for all provided safety signs and decals. Juveniles must be supervised at all times by a responsible adult as directed by the USCPSC.

Change of Design: The manufacturer expressly reserves the right to change or modify the design and construction of any product in due course of their manufacturing procedures, without incurring any obligation to furnish or install such changes or modifications on products previously or subsequently sold.

Embassy PoolCo
315 N. Sebastian St. • West Helena, AR 72390