

Polaris Vac-Sweep® 360

Part# F1

Key No.	Part No.	Description	Pieces	
			Pieces in Model	per Part No.
1	9-100-1014*	All-Purpose Bag	1	1
2	9-100-1152	Housing, Turbine Upper	1	1
3	9-100-1114*	Hub Cap	3	1
4	9-100-5107*	E-Clip, Stainless Steel	10	1
5	9-100-1108*	Ball Bearing	8	1
6	C10*	Tire, Max Trax®	3	1
7	9-100-1008*	Wheel, Double-Side	2	1
8	9-100-1017*	Belt Kit, Small and Large	1	1
9	9-100-7011	Shield, Bearing	3	1
10	9-100-1005	Frame (Warranty Only)	1	1
11	9-100-5125	Screw, 8-32 x 1/2" SS	11	1
12	9-100-1139	Axle Block Kit (Front and Rear)	1	1
13	9-100-1010	Belt Divider, Transfer Pulley	1	1
14	9-100-3135	Bag Clip	1	1
15	9-100-1007*	Transfer/Drive Shaft	1	1
16	9-100-5115	Screw, 8-32 x 3/4" SS	4	1
17	9-100-5130	Lock Washer, Axle Block	4	1
18	9-100-1132	Drive Train Gear Kit	1	1
19	9-100-1103	Turbine Wheel w/ Bearing	1	1
20	9-100-1116*	Wheel, Single-Side	1	1
21	C131	Thrust Jet Kit	1	1
22	9-100-7008	Sweep Hose Barb Complete, White	1	1
23	B20	Adjustment Screw, Sweep Hose	1	1
24	B15*	Sweep Hose Attachment Clamp	1	1
25	9-100-3005	Base Weight	1	1
26	9-100-7170	Hose Clamp for WMS	6	6
27	9-100-7009	Jet Retainer	2	1
28	9-100-7014	Water Management System (WMS)	1	1
29	9-100-1155	Housing, Turbine Lower	1	1
30	9-100-3105*	Sweep Hose Scrubber	1	1
30	R0522400	Sweep Hose Scrubber, 3/PK	1	3
31	9-100-5132	O-Ring, Feed Pipe Assembly	1	1
32	9-100-7030	Top and Base Assembly	1	1
33	9-100-1002	Feed Pipe/Timer Blank Assembly	1	1
34	A20*	Float, Head	1	1
35	9-100-1011*	Sweep Hose Complete	1	1
36	B10*	Wear Rings	7	1
37	9-100-7026	Base Assembly	1	1
38	9-100-1240	Top Housing	1	1
39	9-100-3008	UWF® Connector Assembly	1	1
40	6-500-00	Universal Wall Fitting (UWF)	1	1
41	6-504-00	Filter Screen, UWF/QD	1	1
42	6-505-00	O-Ring, UWF/QD	1	1
43	9-100-3009	Pressure Relief Valve, White	1	1

Key No.	Part No.	Description	Pieces	
			Pieces in Model	per Part No.
44	9-100-3006	Quick Disconnect, UWF	1	1
45	9-100-3109*	Hose Nut	12	1
46	9-100-3102	Feed Hose, 6'	4	1
47	9-100-3002*	Swivel, Hose	4	1
48	9-100-1206	Float, Feed Hose	3	1
49	9-100-1200*	In-Line Backup Valve	1	1
50	9-100-1202	Case Kit, Backup Valve	1	1
51	9-100-1213	Collar, Backup Valve	1	1
52	9-100-1204	Mechanism, Backup Valve	1	1

*Suggested stocking part

360 Rebuild Kit

Part# 9-100-9060

No.	Part No.	Qty.
1	9-100-1014*	1
2	9-100-1152	1
3	9-100-1114*	3
4	9-100-5107*	10
5	9-100-1108*	8
6	C10*	3
7	9-100-1008*	2
8	9-100-1017*	1
9	9-100-7011	3
12	9-100-1139	2
14	9-100-3135	1
15	9-100-1007*	1
18	9-100-1132	1
20	9-100-1116*	1
21	C131	1
22	9-100-7008	1
23	B20	1
24	B15*	1
25	9-100-3005	1
27	9-100-7009	2
28	9-100-74	1
29	9-100-1155	1
32	9-100-7030	1
33	9-100-1002	1
34	A20*	1
35	9-100-1011*	1
45	9-100-3109*	4
47	9-100-3002*	1
48	9-100-1206	3
49	9-100-1200*	1

360/380 Tune-Up Kit

Part# 9-100-9010

No.	Part No.	Qty.
1	9-100-1014*	1
2	9-100-1152	1
3	9-100-1114*	3
4	9-100-5107*	10
5	9-100-1108*	8
6	C10*	3
7	9-100-1008*	2
8	9-100-1017*	1
9	9-100-7011	3
12	9-100-1139	2
15	9-100-1007*	1
18	9-100-1132	1
20	9-100-1116*	1
26	9-100-7170	6
30	9-100-3105*	1
31	9-100-5132*	2

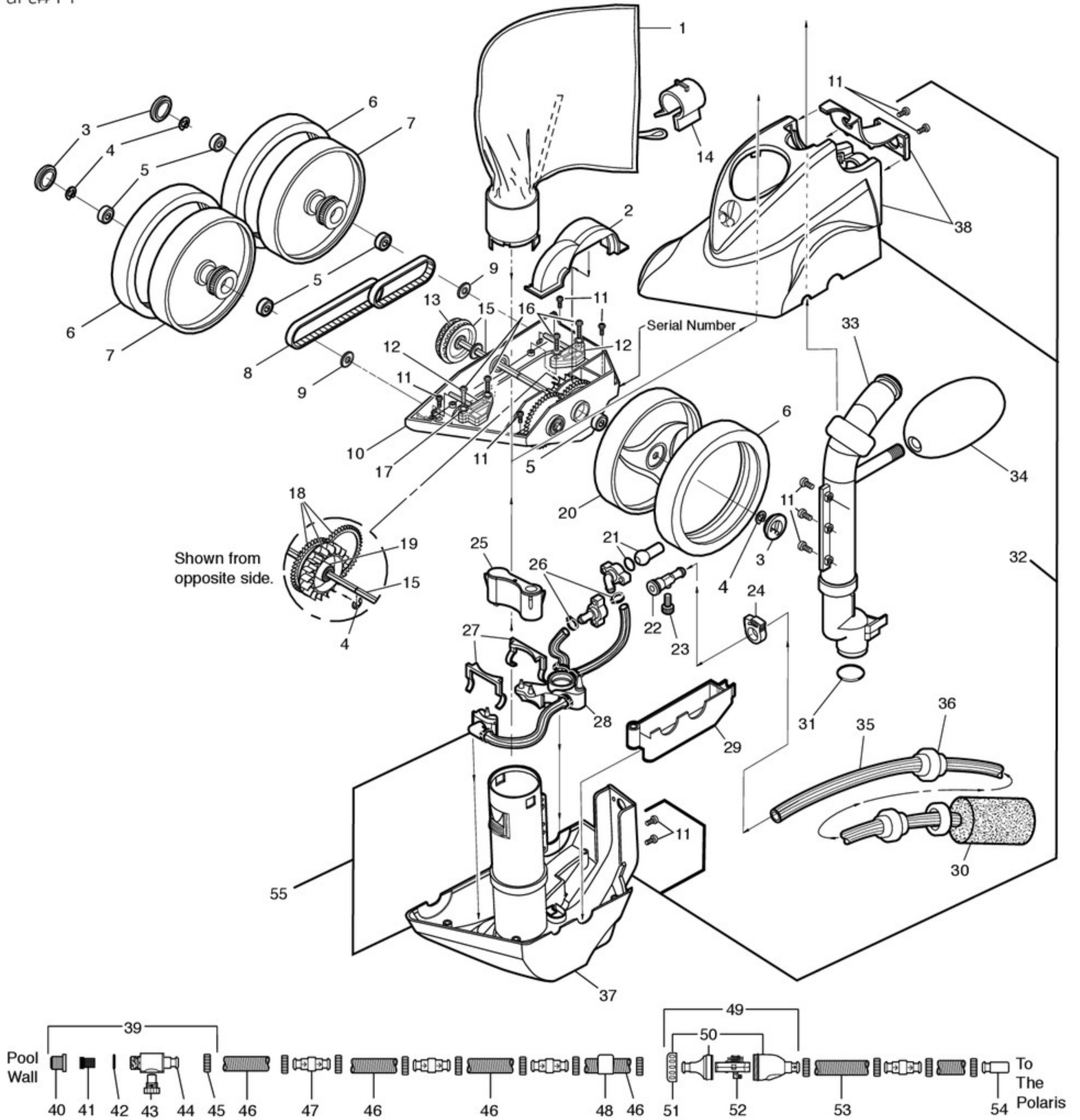
NOTE: Black Max™ parts are not indicated on exploded parts diagrams. See Black Max Parts List on pages 363-365.



PosiTrax® Tire (part #C13) available as an accessory for fiberglass and tile pools.

Polaris Vac-Sweep® 360

Part# F1



Key No.	Part No.	Description	Pieces per in Model Part No.	
N/S	9-100-1210	Mechanism, Double Acting Backup Valve	1	1
53	9-100-3103	Feed Hose, 1'	1	1
54	9-100-6000	Pressure Tester	1	1
55	9-100-7046	Water Management Base Assembly Complete	1	1
N/S	9-100-3100	Complete Hose Assembly (Backup Valve Not Incl.)	1	1

*Suggested stocking part N/S-Not shown



Enroll in one of our Fluidra® incentive programs and enjoy benefits such as extended warranties and access to bulk part discounts. Trust in the quality of genuine parts and Fluidra will provide you with the tools to help grow your business.

Contact your local Fluidra representative today for details.