

Whispering Wind II

806 SERIES

52 Inch Tall Oval Pools - Trimline Support

Parts List

Parts List (Oval)

ITEM	DESCRIPTION	PART NO.	15' x 24'	15' x 30'	18' x 33'	18' x 36'	18' x 39'
			QTY.	QTY.	QTY.	QTY.	QTY.
	STEEL PACK "A" CARTON	1-1500-901-805	—	1	—	—	—
	STEEL PACK "A" CARTON	1-1800-901-805	—	—	1	1	1
	STEEL PACK "A" CARTON	1-1524-901-805	1	—	—	—	—
	STEEL PACK "B" CARTON	1-1530-902-806	—	1	—	—	—
	STEEL PACK "B" CARTON	1-1833-902-806	—	—	1	—	—
	STEEL PACK "B" CARTON	1-1836-902-806	—	—	—	1	—
	STEEL PACK "B" CARTON	1-1839-902-806	—	—	—	—	1
1.	Top Rail	587-1413 ✓	10	10	12	12	12
2.	Top Rail - Side	587-1414 ✓	8	12	12	14	16
3.	Stabilizer Rail (Large)	583-1011 ✓	9	9	11	11	11
4.	Stabilizer Rail (Small)	583-1012 ✓	9	9	11	11	11
5.	Vertical Center Section	580-2087 ✓	12	12	14	14	14
6.	Vertical End Cap	580-2260 ✓	24	24	28	28	28
7.	Side Vertical Top Cap	580-2279 ✓	6	10	10	12	14
8.	Top Connector	340-2220 ✓	18	22	24	26	28
*9.	Coping	545-1001 ✓	35	41	46	49	52
10.	Bottom Rail	589-1134 ✓	10	10	—	—	—
	Bottom Rail	589-1136 ✓	—	—	12	12	12
11.	Bottom Rail - Side	589-1201 ✓	4	8	8	10	12
12.	Bottom Rail Apex	589-1135 ✓	4	4	4	4	4
13.	Side Stabilizer Rail	583-1064 ✓	4	8	8	10	12
**14.	#10 x 1/2" Screw	330-1127 ✓	168	200	220	236	252
15.	Book - "Read Me First"	573-3169 ✓	1	1	1	1	1
16.	—	—	—	—	—	—	—
17.	—	—	—	—	—	—	—
18.	—	—	—	—	—	—	—
19.	—	—	—	—	—	—	—
20.	—	—	—	—	—	—	—
21.	Assembly/Installation Instructions	573-3273	1	1	1	1	1
22.	Warranty Card - Metal	—	1	1	1	1	1
23.	Pool Parts List	573-3425	1	1	1	1	1
24.	Connector Bracket	580-2055 ✓	6	10	10	12	14
25.	Stabilizer Bracket	580-1942 ✓	6	10	10	12	14
	VERTICAL PACK	1-1500-904-806	1	1	—	—	—
	VERTICAL PACK	1-1800-904-806	—	—	1	1	1
26.	Vertical Side Section	580-2088 ✓	24	24	28	28	28

* For use with stretch-in liners only.

** Screws, nuts and washers available at your local hardware store.

*** Write the number of your metal sidewall in the spaces provided here and above. # _____

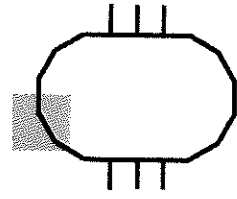
**** For use with Snap-Fast liners only.

***** For Additional Patch Kits, order part number 1-2002-006.

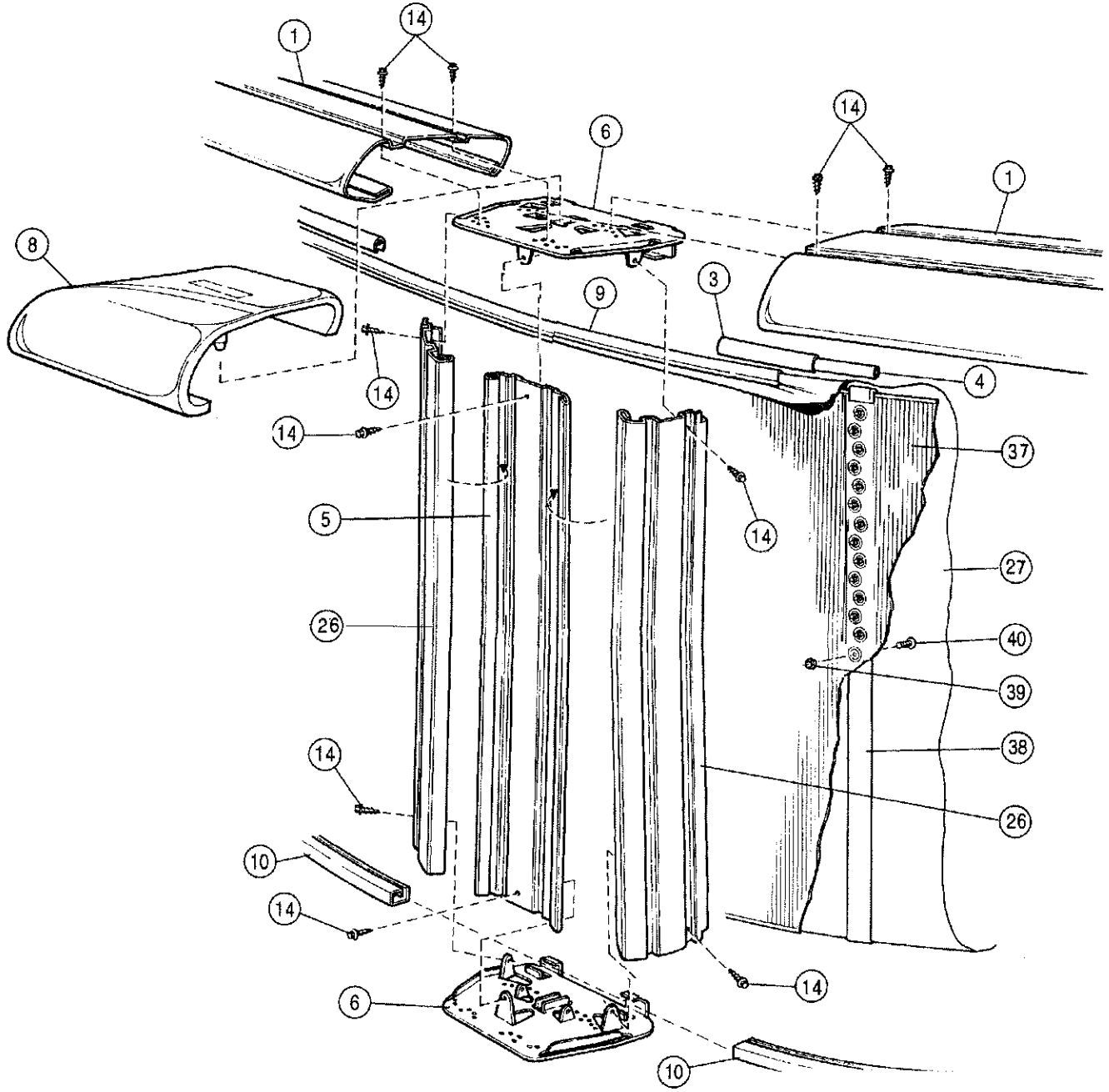
***** Use for pools with deep swimming areas only.

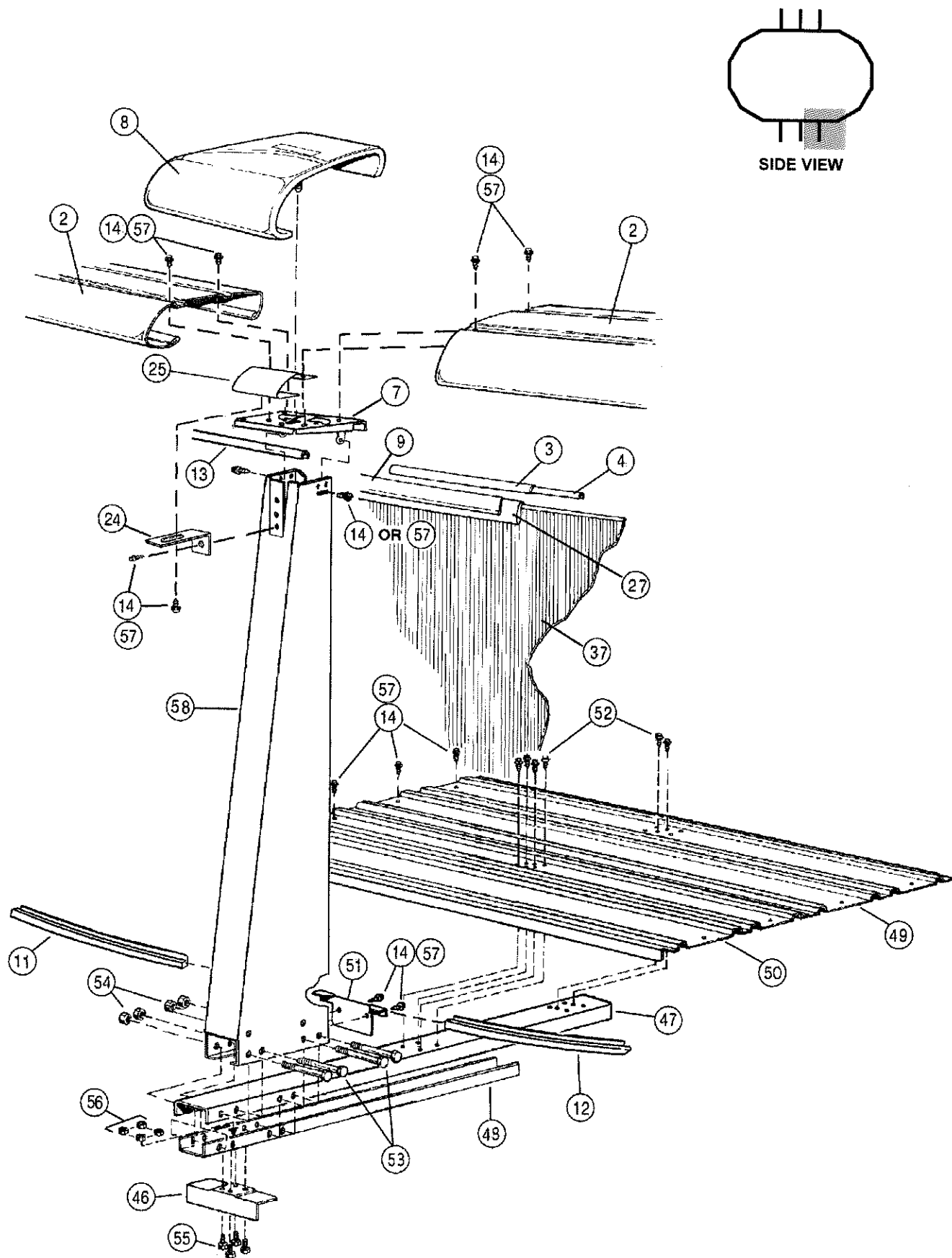
Parts List (Oval)

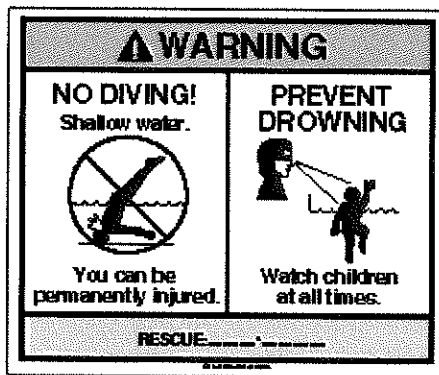
ITEM	DESCRIPTION	PART NO.	15' x 24'	15' x 30'	18' x 33'	18' x 36'	18' x 39'
			QTY.	QTY.	QTY.	QTY.	QTY.
VINYL LINER CARTON							
***27.	Liner (15' x 24' x 52")	1-1524-_____	1	—	—	—	—
	Liner (15' x 30' x 52")	1-1530-_____	—	1	—	—	—
	Liner (18' x 33' x 52")	1-1833-_____	—	—	1	—	—
	Liner (18' x 36' x 52")	1-1836-_____	—	—	—	1	—
	(18' x 39' x 52")	1-1839-_____	—	—	—	—	1
28.	Chlorine/Winterizing Instructions	573-2421	1	1	1	1	1
****29.	Liner Installation Instructions	573-3043	1	1	1	1	1
30.	Warranty Card	—	1	1	1	1	1
*****31.	Repair Patch	564-1000	1	1	1	1	1
32.	Warning Decals	560-1041	3	3	3	3	3
33.	Decal - Shallow 3-3/4 Ft.	560-1056	3	3	3	3	3
34.	Shallow Decal Instruction	369-1216	1	1	1	1	1
35.	Book - "Read Me First"	573-3169	1	1	1	1	1
*****36.	Decal - "Deeper Area"	560-1042	2	2	2	2	2
SIDEWALL CARTON							
37.	Wall	_____	1	—	—	—	—
	Wall	_____	—	1	—	—	—
	Wall	_____	—	—	1	—	—
	Wall	_____	—	—	—	2	—
	Wall	_____	—	—	—	—	2
38.	Wall Protective Strip	535-1442 ✓	1	1	1	2	2
**39.	1/4" - 20 Hex Nut	321-1029 ✓	26	26	26	52	52
**40.	1/4" - 20 x 1/2" Phillips Head	330-1280 ✓	26	26	26	52	52
41.	Cover Plate Skimmer (not shown)	580-2011 ✓	—	—	—	2	2
42.	Cover Plate - Return (not shown)	580-2012 ✓	—	—	—	2	2
43.	Warning Sign	560-1055	1	1	1	2	2
44.	Book - "Read Me First"	573-3169	1	1	1	2	2
45.	Safety Video	573-2507	1	1	1	2	2
	SUPPORT BASE PACK 4 - CARTON	1-8888-004	—	1	1	—	2
	SUPPORT BASE PACK 6 - CARTON	1-8888-006	1	1	1	2	1
46.	Skid Support	580-1779 ✓	6	10	10	12	14
47.	Ground Support - Top	580-2071 ✓	6	10	10	12	14
48.	Ground Support - Bottom	580-2072 ✓	6	10	10	12	14
49.	Pressure Pad - Outside	580-2082 ✓	6	10	10	12	14
50.	Pressure Pad - Side Vertical	580-2083 ✓	6	10	10	12	14
51.	Bottom Rail Locator	580-1792 ✓	6	10	10	12	14
52.	12 x 3/4" Hex Screw	510-1035 ✓	36	60	60	72	84
53.	3/8 - 16 x 3-1/2" Hex Bolt	330-1220 ✓	24	40	40	48	56
54.	3/8 - 16 Hex Nut	321-1069 ✓	24	40	40	48	56
**55.	1/4 - 20 x 1/2" Hex Screw	510-1018 ✓	24	40	40	48	56
**56.	1/4 - 20 Hex Nut	511-1000 ✓	24	40	40	48	56
**57.	#10 x 1/2" Screw	330-1127 ✓	36	60	60	72	84
	SUPPORT PACK 4 CARTON	1-1304-907	—	1	1	—	2
	SUPPORT PACK 6 CARTON	1-1306-907	1	1	1	2	1
58.	Side Vertical	580-2089 ✓	6	10	10	12	14



END VIEW







Important! Above-ground pools are designed for swimming and wading only. **Do not Dive or Jump!** Misuse of your pool may result in crippling injury and/or other dangers to life and health. Do not use slides, diving boards, or any other platform or object which can be used for improper pool entry. Use only an above-ground swimming pool ladder or entry system to enter or exit your pool. **Never attempt to swim or reach behind ladders or any other pool entry system.** It is the pool owner's responsibility to secure the pool against unauthorized, unsupervised or unintentional entry. It is also the pool owner's responsibility to warn all pool users of the hazards of diving into shallow water: paralyzing injury may result. Always obey all safety rules. Remember, pool safety is everybody's responsibility.

Safety decals and caution information provided with your pool have been endorsed by the U.S. Consumer Product Safety Commission. It is mandatory that the pool owner and installer follow the installation and use directions for all provided safety signs and decals. Juveniles must be supervised at all times by a responsible adult as directed by the USCPSC.

Change of Design: HII expressly reserves the right to change or modify the design and construction of any product in due course of their manufacturing procedures, without incurring any obligation to furnish or install such changes or modifications on products previously or subsequently sold.

HII
315 N. Sebastian St. • West Helena, AR 72390